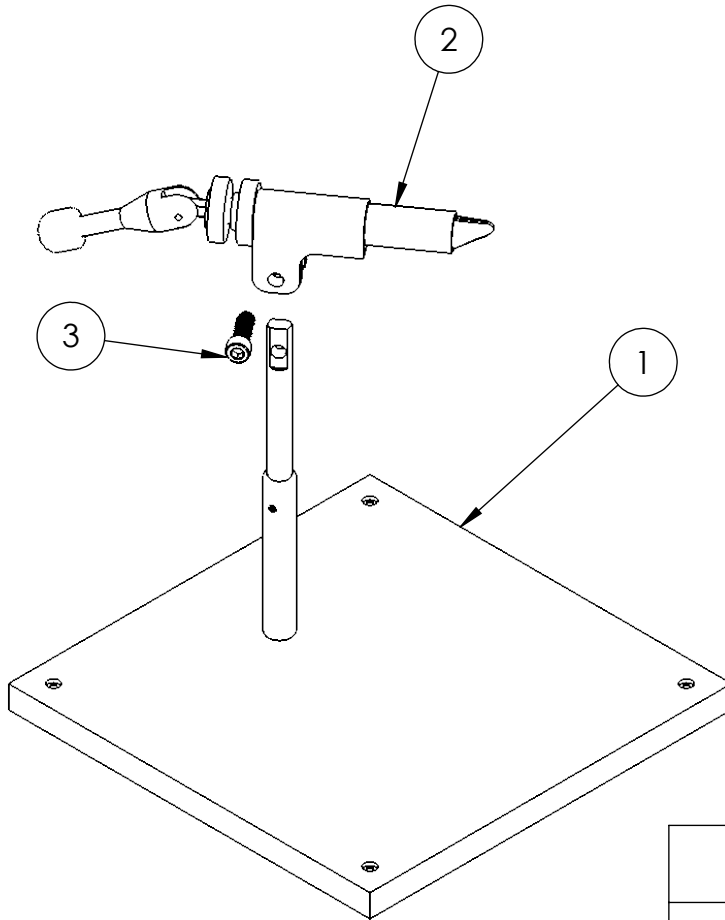


REVISIONS

REV.	DESCRIPTION	DATE	APPROVED
0	PRODUCTION RELEASE	5/12/2022	RJM



3	90128A365	1/4-28UNF-3 X .75 LG HEX SOC HD CAP SC	Alloy Steel	1
2	FTV01S01	UPPER VISE ASM	AS SHOWN	1
1	FTV01S02	LOWER VISE ASM	AS SHOWN	1
ITEM NO.	PART NUMBER	DESCRIPTION	MATERIAL	QTY.

**HENNEPIN TECHNICAL COLLEGE**  
**BROOKLYN PARK & EDEN PRAIRIE, MN**

TITLE  
**FLY TYING VISE**  
**ASM**

UNLESS OTHERWISE SPECIFIED:  
 DIMENSIONS ARE IN INCHES  
 TOLERANCES:  
 ANGULAR: ±.5°  
 ONE PLACE DECIMAL: ±.03  
 TWO PLACE DECIMAL: ±.01  
 THREE PLACE DECIMAL: ±.005  
 FOUR PLACE DECIMAL: ±.0005  
 INTERPRET GEOMETRIC TOLERANCES  
 PER ASME Y14.5-2009

	NAME	DATE
DRAWN	QN	5/10/2022
CHECKED	RJM	5/10/2022

MATERIAL  
**AS SHOWN**



SIZE	DWG. NO.	REV
<b>A</b>	<b>FTV01M01</b>	<b>0</b>

SCALE: 1:3	WEIGHT:	SHEET 1 OF 1