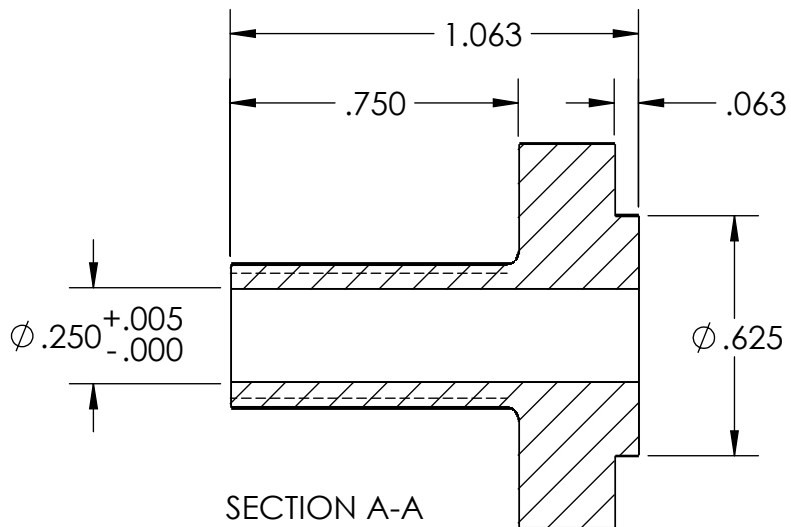
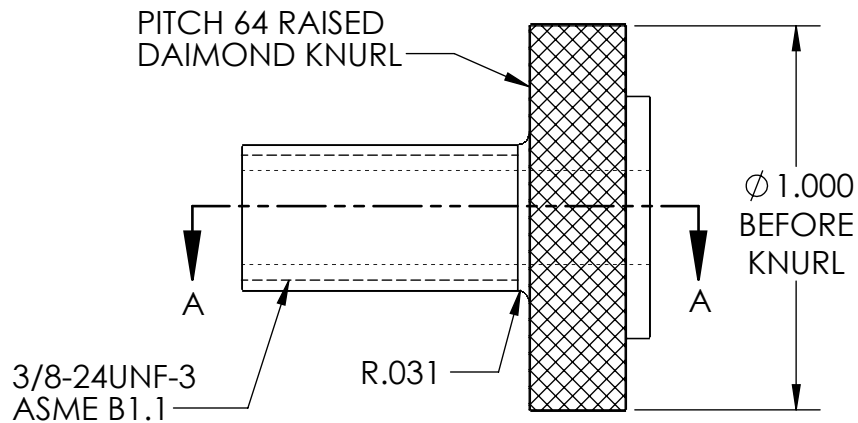


REVISIONS			
REV.	DESCRIPTION	DATE	APPROVED
0	PRODUCTION RELEASE	5/12/2022	RJM



HENNEPIN TECHNICAL COLLEGE
BROOKLYN PARK & EDEN PRAIRIE, MN

TITLE
ADJUSTMENT KNOB

UNLESS OTHERWISE SPECIFIED:
 DIMENSIONS ARE IN INCHES
 TOLERANCES:
 ANGULAR: ±.5°
 ONE PLACE DECIMAL: ±.03
 TWO PLACE DECIMAL: ±.01
 THREE PLACE DECIMAL: ±.005
 FOUR PLACE DECIMAL: ±.0005
 INTERPRET GEOMETRIC TOLERANCES
 PER ASME Y14.5-2009

	NAME	DATE
DRAWN	QN	4/25/2022
CHECKED	RJM	4/25/2022
MATERIAL		
SAE 304		
THIRD-ANGLE PROJECTION		

SIZE	DWG. NO.	REV
A	1DT1008	0
SCALE: 2:1	WEIGHT:	SHEET 1 OF 1