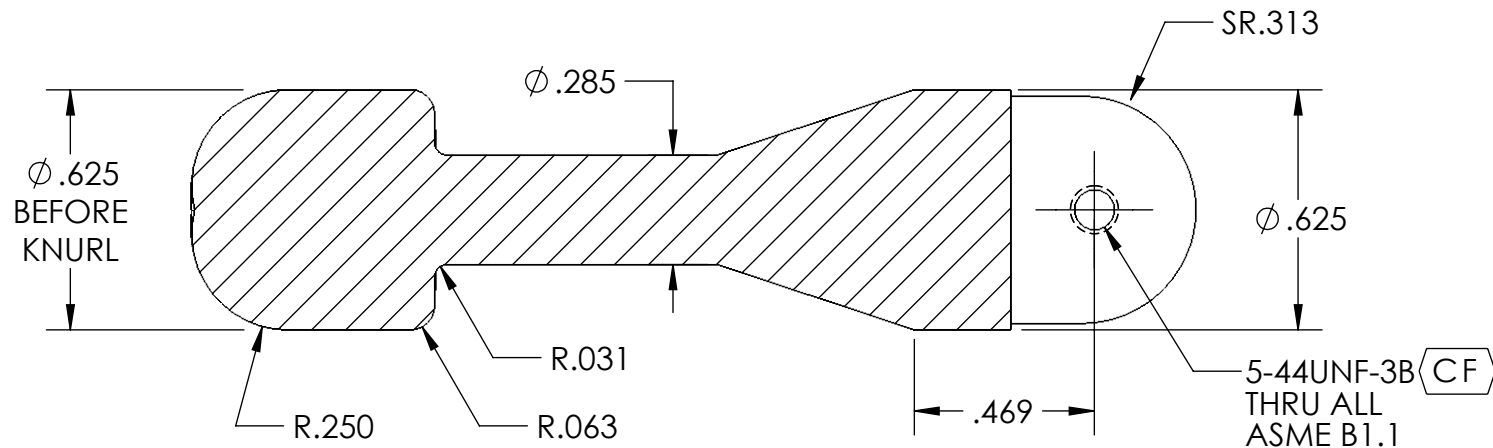
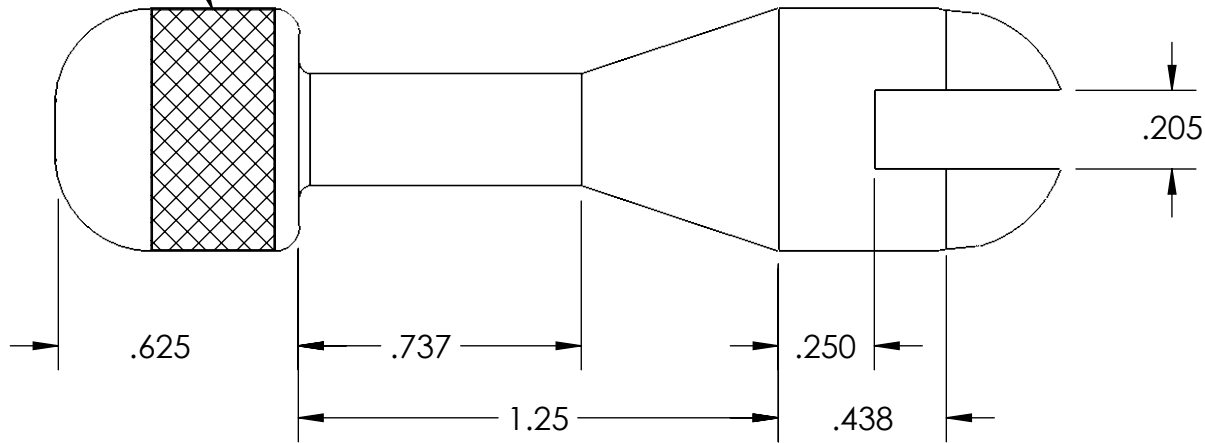


REVISIONS			
REV.	DESCRIPTION	DATE	APPROVED
0	PRODUCTION RELEASE	5/12/2022	RJM

PITCH 64 RAISED
DAIMOND KNURL



HENNEPIN TECHNICAL COLLEGE
BROOKLYN PARK & EDEN PRAIRIE, MN

TITLE
HANDLE CAM

UNLESS OTHERWISE SPECIFIED:
DIMENSIONS ARE IN INCHES
TOLERANCES:
ANGULAR: $\pm .5^\circ$
ONE PLACE DECIMAL: $\pm .03$
TWO PLACE DECIMAL: $\pm .01$
THREE PLACE DECIMAL: $\pm .005$
FOUR PLACE DECIMAL: $\pm .0005$
INTERPRET GEOMETRIC TOLERANCES
PER ASME Y14.5-2009

	NAME	DATE
DRAWN	QN	4/20/2022
CHECKED	RJM	4/20/2022
MATERIAL	SAE 1045	
THIRD-ANGLE PROJECTION		

SIZE	DWG. NO.	REV
A	1DT1007	0
SCALE: 2:1	WEIGHT:	SHEET 1 OF 1