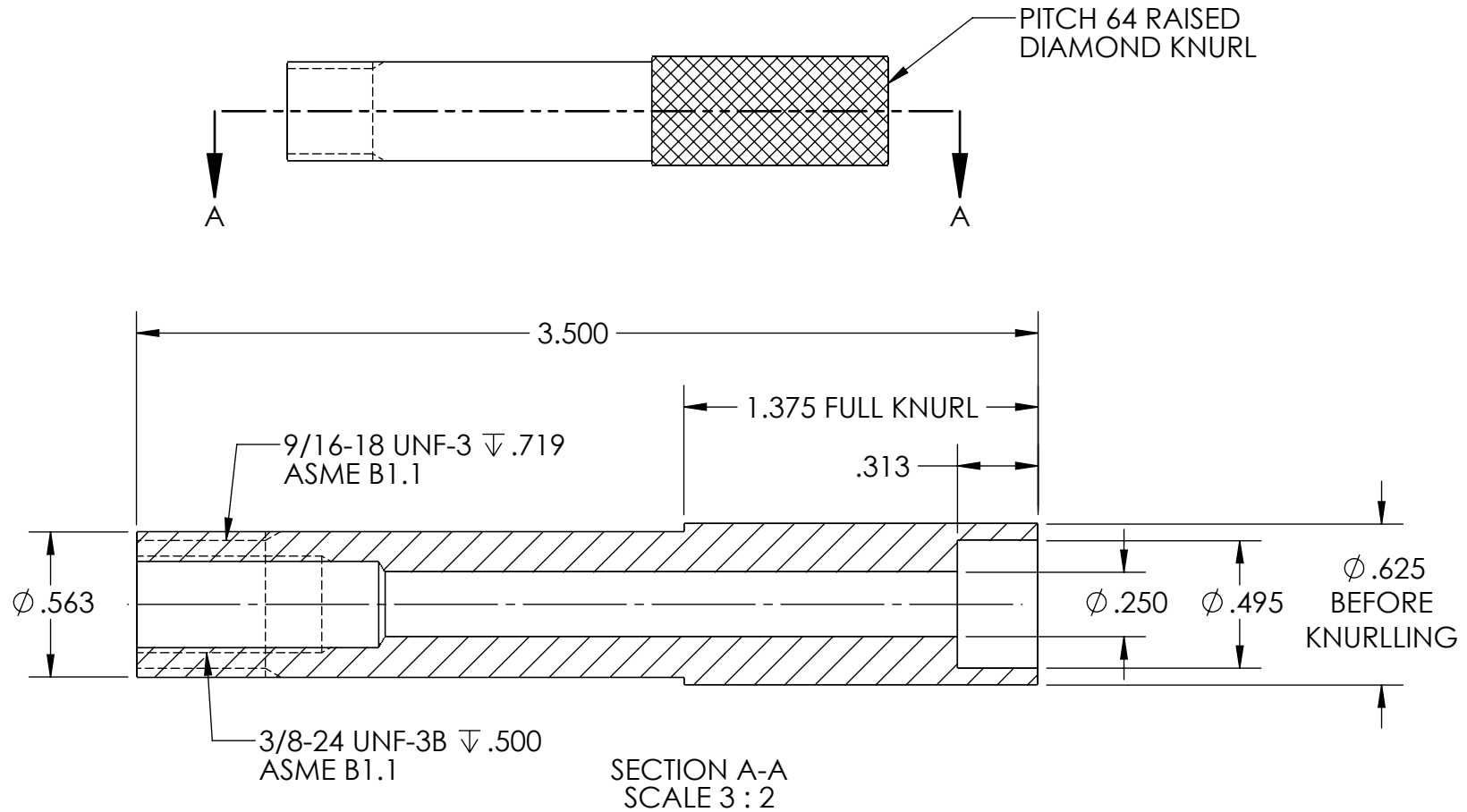


REVISIONS			
REV.	DESCRIPTION	DATE	APPROVED
0	PRODUCTION RELEASE	5/12/2022	RJM



HENNEPIN TECHNICAL COLLEGE BROOKLYN PARK & EDEN PRAIRIE, MN			TITLE ROTATING HOUSING			
UNLESS OTHERWISE SPECIFIED: DIMENSIONS ARE IN INCHES TOLERANCES: ANGULAR: \pm .5° ONE PLACE DECIMAL: \pm .03 TWO PLACE DECIMAL: \pm .01 THREE PLACE DECIMAL: \pm .005 FOUR PLACE DECIMAL: \pm .0005 INTERPRET GEOMETRIC TOLERANCES PER ASME Y14.5-2009		NAME	DATE	SIZE	DWG. NO.	REV
	DRAWN	QN	4/15/2022	A	1DT1005	0
	CHECKED	RJM	4/15/2022			
	MATERIAL SAE 304			SCALE: 1:1	WEIGHT:	SHEET 1 OF 1
			THIRD-ANGLE PROJECTION			